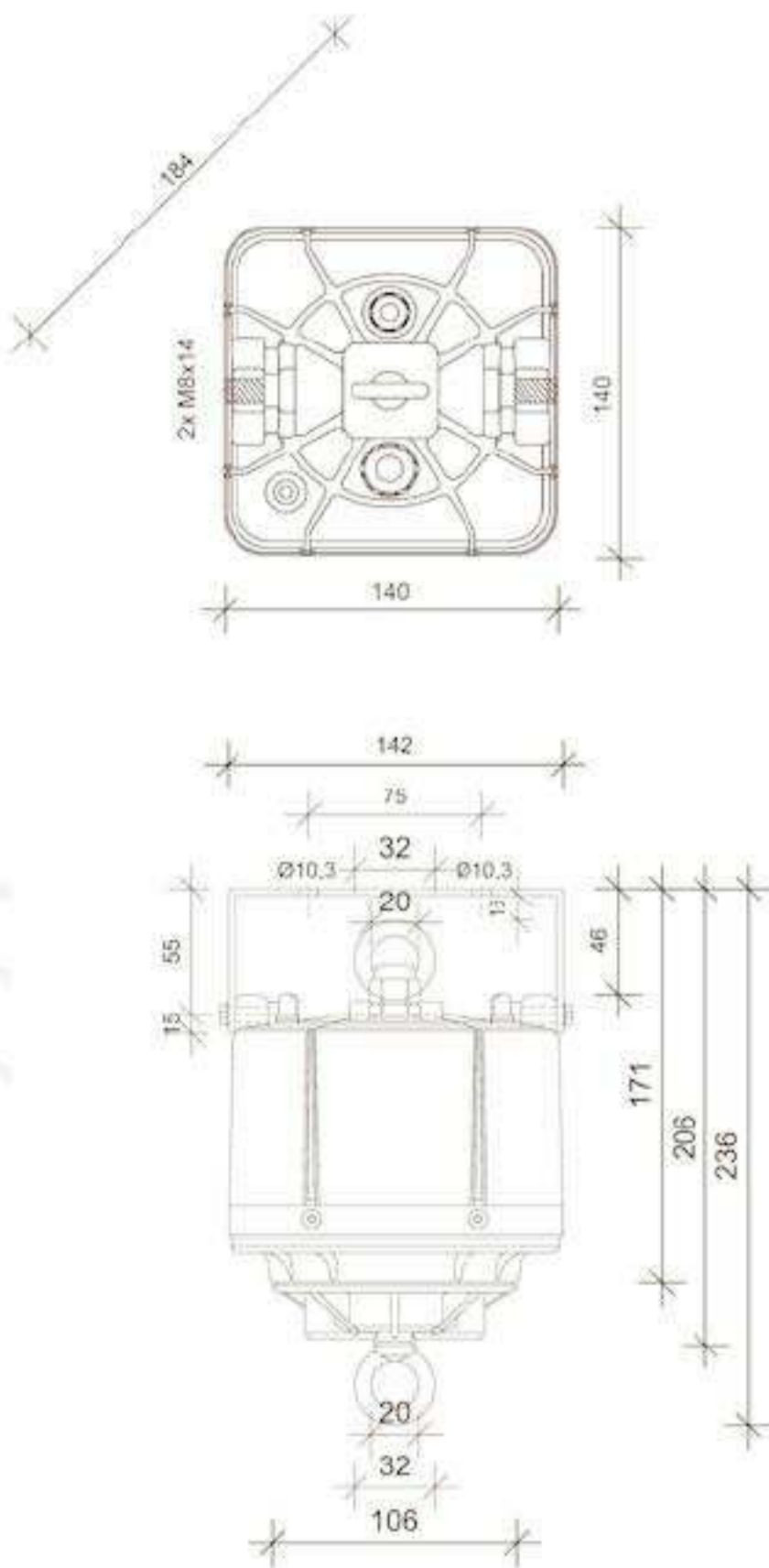


# COMPACT TYPE MULTICONTACT

When additional auxiliary contacts are required for DALI, emergency packs or other circuits the Compact multi-contact version is ideal. Separate power supplies for the motor, main lamp and auxiliary contacts offer flexibility and dimming facility for loads up to 15kg.



Dimensions (in mm) for:  
CSI-12 M



Compact Type	CSI-12 M	CDI-15 M
Lifting capacity	3-12 kg	3-15 kg
Lowering distance	15m	10m
Suspension cable	single	double
Motor supply and lighting circuit	separate	separate
Power supply motor	100-277V AC /50-60Hz; 30W	
Lighting circuit	16A, 230V AC	16A, 230V AC
Auxiliary contacts / capacity	4/6A, 230V AC	4/6A, 230V AC
Protection category / class	IP 54 / I	IP 54 / I
Temperature range	-15 °C to + 60 °C	-15 °C to + 60 °C
Net weight / with packaging	3,5 / 3,9 kg	3,5 / 3,9 kg