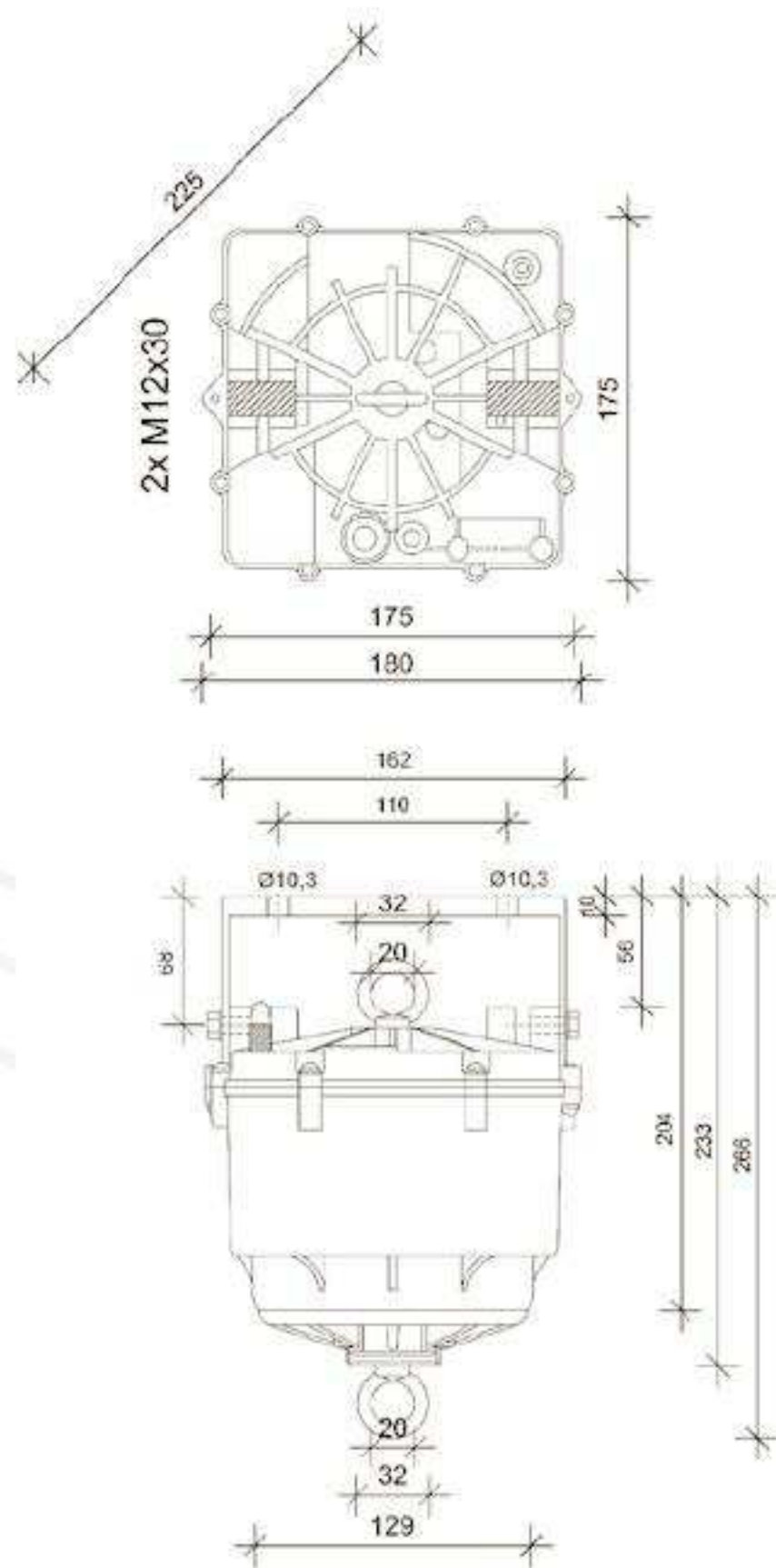


HOOK UP TYPE MULTICONTACT

When additional auxiliary contacts are required for DALI, emergency packs or other circuits the Hook Up multi-contact version is ideal. Separate power supplies for the motor, main lamp and auxiliary contacts offer flexibility and dimming facility for loads up to 25kg.



Dimensions (in mm) for:
HDI-25 M



Hook Up Type

HDI-25 M

Lifting capacity	6-25 kg
Lowering distance	10m
Suspension cable	double
Motor supply and lighting circuit	separate
Power supply motor	230V AC / 50Hz; 40W
Lighting circuit	16A, 230V AC
Auxiliary contacts / capacity	4 / 6A, 230V AC
Protection category / class	IP 54 / I
Temperature range	-15 °C to + 60 °C
Net weight / with packaging	7,0 / 7,6 kg