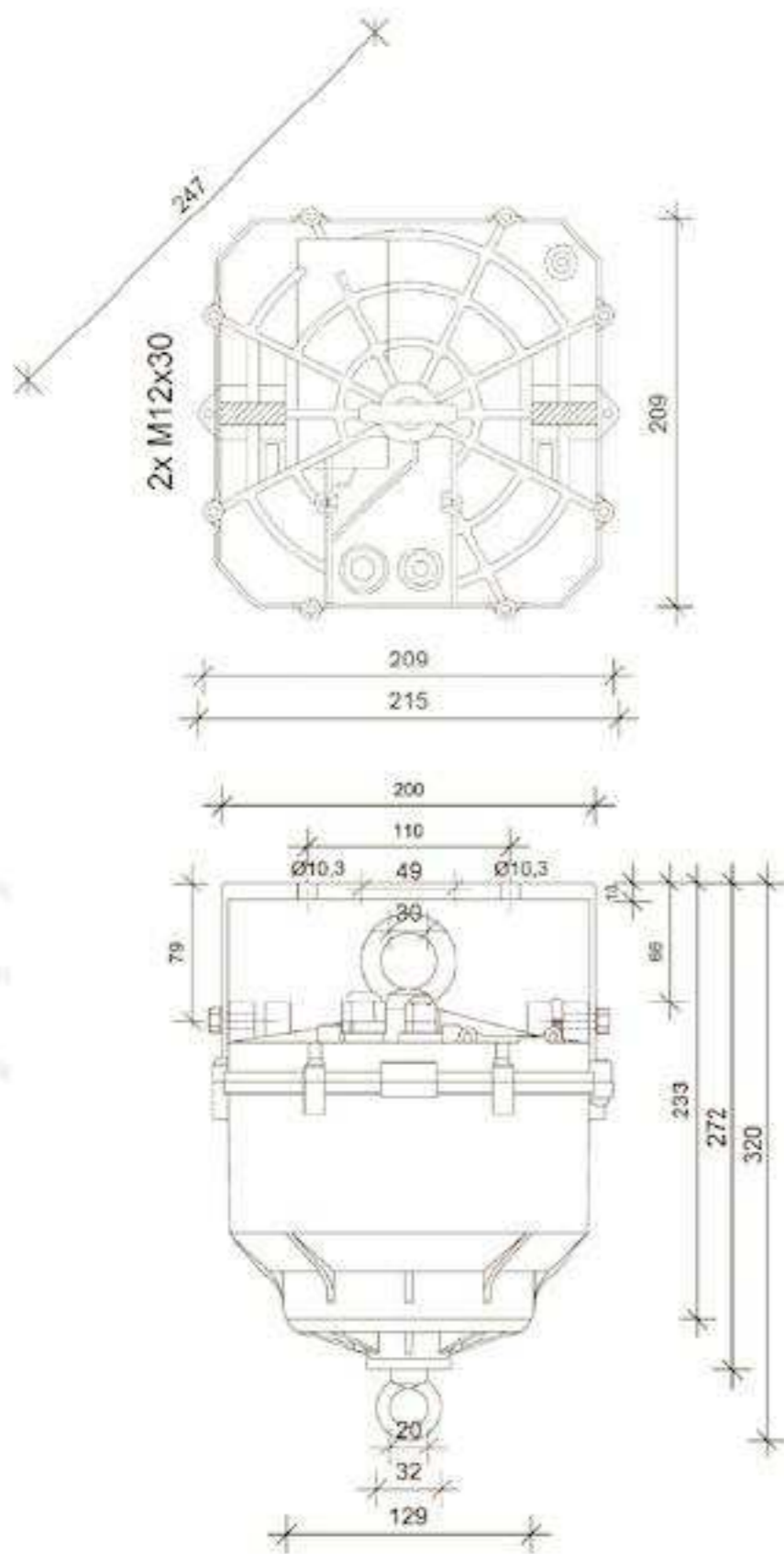


HEAVY DUTY TYPE MULTICONTACT

When additional auxiliary contacts are required for DALI, emergency packs or other circuits the Hook Up multi-contact version is ideal. Separate power supplies for the motor, main lamp and auxiliary contacts offer flexibility and dimming facility for loads up to 50kg.



Dimensions (in mm) for:
PSI-20 M, PSI-30 M



Heavy Duty Type	PSI-20 M	PSI-30 M	PDI-35 M	PDI-50 M
Lifting capacity	4-20 kg	4-30 kg	8-35 kg	8-50 kg
Lowering distance	20m	15m	10m	10m
Suspension cable	single	single	double	double
Motor supply and lighting circuit	separate	separate	separate	separate
Power supply motor	230V AC / 50Hz; 120W			
Lighting circuit	16A, 230V AC			
Auxiliary contacts / capacity	4/6A, 230V AC		4/6A, 230V AC	
Protection category / class	IP 54/ I	IP 54/ I	IP 54/ I	IP 54/ I
Temperature range	-15 °C to + 60 °C			
Net weight / with packaging	8,7 /9,9 kg	8,7 /9,9 kg	8,7 /9,9 kg	9,5 /10,7 kg